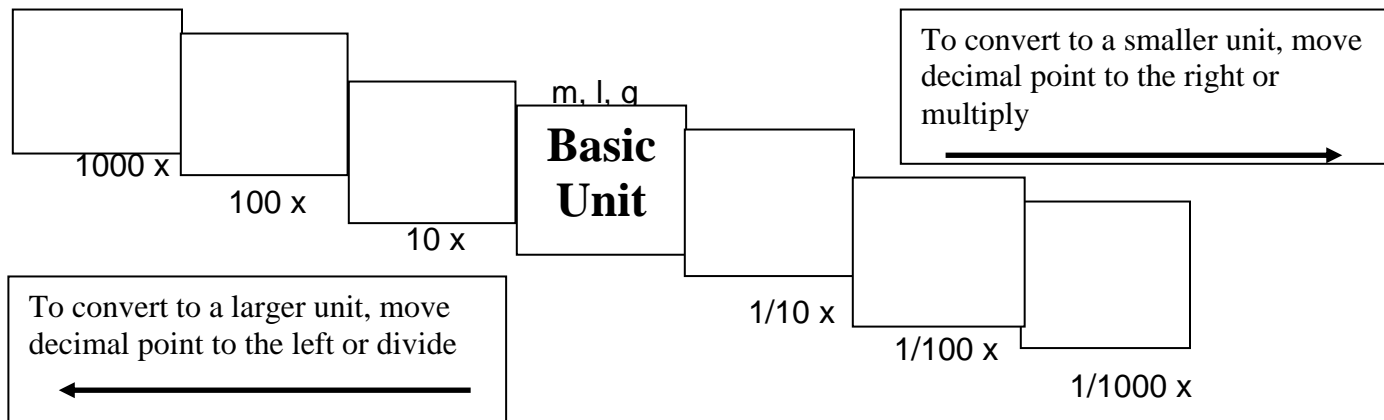


Dougherty Valley HS Chemistry
 Metric Mania
 Conversion Practice

Name: _____
 Date: _____
 Period: _____



Try these conversions, using the ladder method:

1000 mg = _____ g

1 L = _____ ml

160 cm = _____ mm

14 km = _____ m

109 g = _____ kg

250 m = _____ km

Compare using <, >, or =

56 cm ○ 6 m

7 g ○ 698 mg

Conversion Challenge

Write the correct abbreviation for each metric unit

1. Kilogram _____

4. Milliliter _____

7. Kilometer _____

2. Meter _____

5. Millimeter _____

8. Centimeter _____

3. Gram _____

6. Liter _____

9. Milligram _____

Try these conversions, using the ladder method of conventional method

1. 2000 mg = _____ g

6. 5 L = _____ mL

11. 16 cm = _____ mm

2. 104 km = _____ m

7. 198 g = _____ kg

12. 2500 m = _____ km

3. 480 cm = _____ m

8. 75 mL = _____ L

13. 65 g = _____ mg

4. 5.6 kg = _____ g

9. 50 cm = _____ m

14. 6.3 cm = _____ mm

5. 8 mm = _____ cm

10. 5.6 m = _____ cm

15. 120 mg = _____ g

Compare using <, >, or =

16. 63 cm 6 m

17. 5 g 508 mg

18. 1,500 mL 1.5 L

19. 536 cm 53.6 dm

20. 43 mg 5 g

21. 3.6 m 36 cm